



QUADVIEW
SOLUTION



SHUFFLE is a connected, modular approach to city hardware - with its plug-and-play rotatable modules that contain pre-certified hardware, it can be configured to suit your specific needs.

KEY ADVANTAGES

- > **Seamless integration in the SHUFFLE column**
- > **360° view**
- > **Vandal-proof design to protect the hardware**
- > **Easy installation with patented mounting system**
- > **Compatible with the Genetec video management system**

The SHUFFLE QUADVIEW is a seamlessly integrated 360-degree video CCTV solution that does not intrude on its surroundings. This is a compact, easy to install, reliable and cost-effective CCTV solution that can be an alternative to an intrusive Pan Tilt Zoom camera (PTZ).

Specifically designed four sensor cameras are carefully placed in this SHUFFLE module to offer a full, unobstructed 360° view, allowing the cameras to be connected to any surveillance platform.

Modules are in high-pressure die-cast aluminum and a transparent protector in polycarbonate is used to protect the sensor cameras. Extruded aluminum is also used to achieve a cylindrical shape. All fasteners are in stainless steel. The housing is covered in the highest graded polyester powder paint supporting a variety of colours.

Forward-thinking technology can provide a platform that facilitates communication and collaboration to improve public safety and support the advancement of the city and its interests. This is why this module can be optionally ordered with ready-to-go Genetec tools and solutions that extend beyond physical security to contribute to improving the daily lives of citizens.



QUADVIEW | CHARACTERISTICS

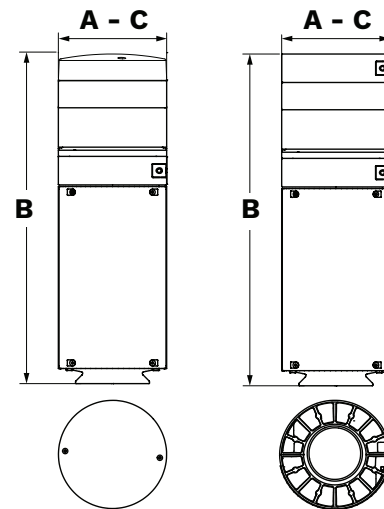
KEY FEATURES

- Offers a 360° field of view
- Contains 4 separate sensors with wide 113° horizontal field of view per sensor
- Vertical angle of view: 62°
- Streams videos from four sensor units simultaneously
- Supports 1920x1200/1080 (1080p) resolution with up to 50/60fps (50/60Hz)
- Supports Wide Dynamic Range (WDR) – Forensic Capture
- Ideal for very bright and/or dark areas
- Support for Zipstream technology lowers bandwidth and storage use
- Withstands dust, rain, snow, vibrations, shocks and impacts
- IP connectivity through standard Ethernet ports
- Power over Ethernet or 8–28 V DC
- Features two SD card slots for optional local storage

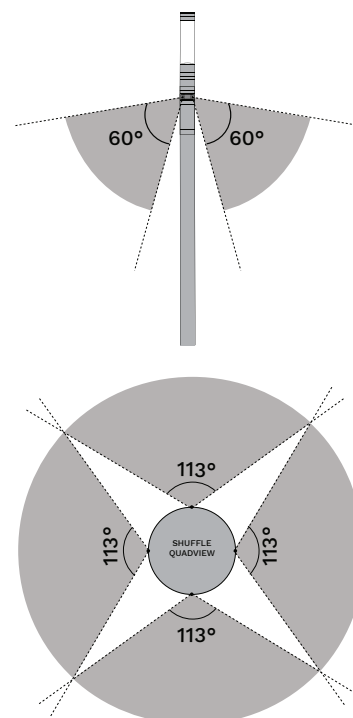


DIMENSIONS AND MOUNTING

AxBxC (mm inch)	194x593x194 7.6x23.4x7.6
Weight (kg lbs)	10 22
Aerodynamic resistance (CxS)	0.12
Mounting possibilities	Clamps



CAMERA ANGLE OF VIEW



QUADVIEW | CHARACTERISTICS

GENERAL

Recommended installation height	2,3m to 6,8m 7,5' to 22,3'
CE Mark	Yes
ROHS compliant	Yes

HOUSING AND FINISH

Housing	Aluminum
Protector	Polycarbonate
Housing finish	Polyester powder coating
Standard colour	AKZO grey 900 sanded
Tightness level	IP 66
Impact resistance	IK 08
Ta	-30°C to +55°C -22°F to +131°F
Ta For indoor use only suitable for UL countries	-30°C to +45°C -22°F to +113°F

ELECTRICAL

Electrical class	Class I EU, Class II EU
Input power (for control mains unit):	24 VDC Power over Ethernet (PoE) IEEE 802.3af/802.3at Type 1 Class 3
Power Consumption	PoE: max 12.95 W 24 VDC: max 13.33 W

SHUFFLE

SHUFFLE pole model	2 doors same side 3 doors
SHUFFLE boxes	Mains box Beyond Light power supply box (powered by 24VDC)
Location	Any position Occupies 2 module positions

CAMERA

	Fixed iris
	2.8mm, F2.0
Lens	with control in 1080p: Horizontal angle of view: 113° Vertical angle of view: 60°
	with control in 720p: Horizontal angle of view: 73° Vertical angle of view: 41°
Resolution	Max. 1920x1200/1080
Wide dynamic range	WDR - Forensic Capture 720p, 12.5/15 fps (50/60 Hz)
Frame rate	Max. 50/60 fps (50/60 Hz)
Quantity	4 cameras in each module

CONTROL

Resolution	1920x1080 (1080p) to 480x270 1280x720 to 480x270
Wide dynamic range	WDR - Forensic Capture
	In 1080p with no WDR: up to 12.5/15fps (50/60Hz)
Frame rate	In 720p with no WDR: up to 25/30fps (50/60Hz)
	In 720p with WDR: up to 12.5/15fps (50/60Hz)
Application Programming Interface	Open API for software integration, including VAPIX® and AXIS Camera Application Platform; specifications at axis.com AXIS Guardian with One-Click Connection ONVIF® Profile G and ONVIF® Profile S, specifications at onvif.org
Analytics	AXIS Video Motion Detection Active tampering alarm, audio detection