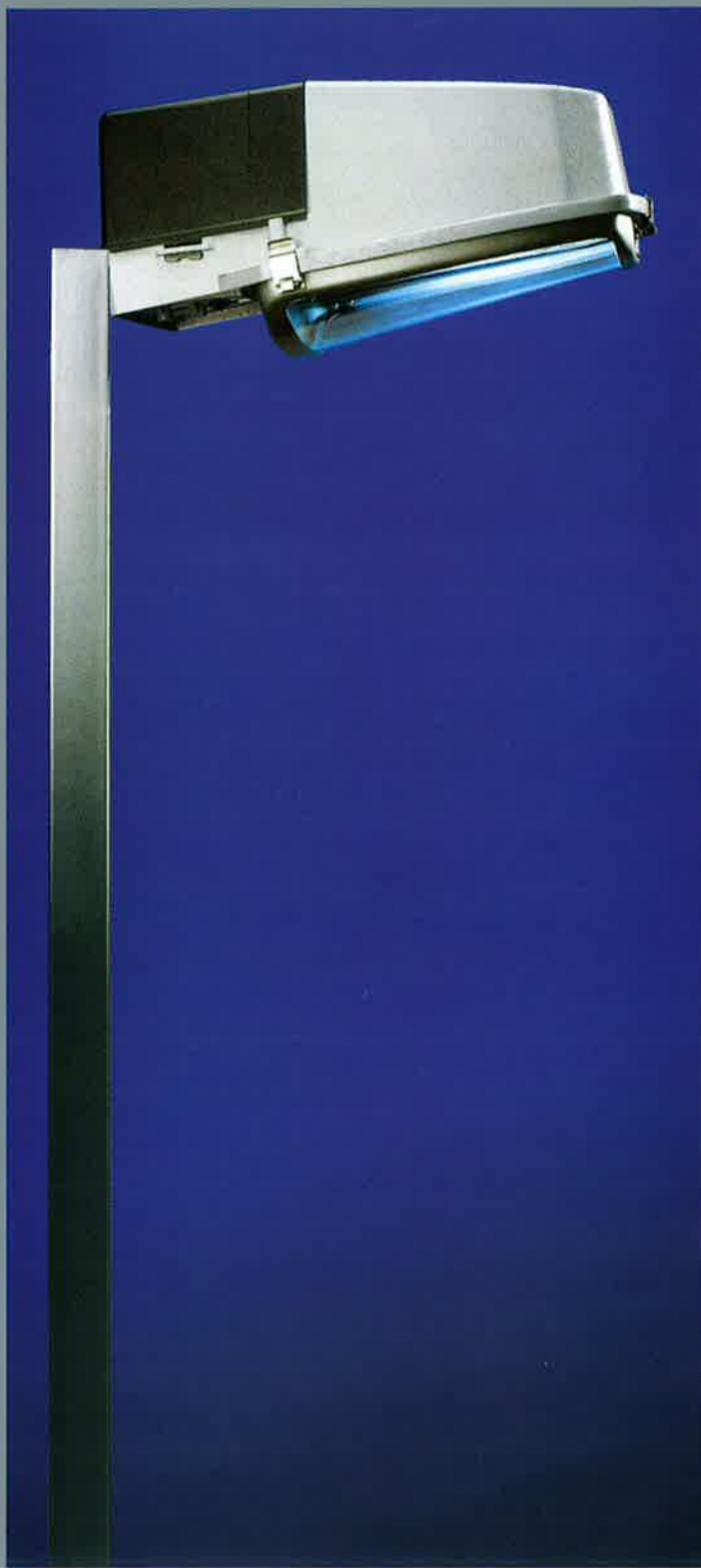


**Z2**

**Public Lighting**



**Luminaire  
with adjustable  
optics for all  
road types  
IP65**

**Schröder**

# Z2

## Public Lighting

### APPLICATION

Lighting of urban roads and heavy or medium traffic density highways.

### DESCRIPTION

Z2 luminaire for public lighting for 150W up to 400W lamps. This lantern comprises a die cast aluminium body divided into two parts; a reflector of high purity, polished and anodised aluminium; a polystyrene acrylonitrile protective cover and a clear injection moulded acrylic protector. The control gear is mounted in the body on a removable mounting plate.

### CHARACTERISTICS

Optical compartment tightness level	IP 65 (*) - PMMA Diffuser IP 65 (*) - Glass Diffuser
Control gear tightness level	IP 44 (*)
Aerodynamic resistance (C x S)	0,12m <sup>2</sup>
Impact resistance: (Glass/PMMA)	IK 08/IK 04 (**)
Electrical insulation class	I or II (*)
Weight (empty): Z2	7 kg

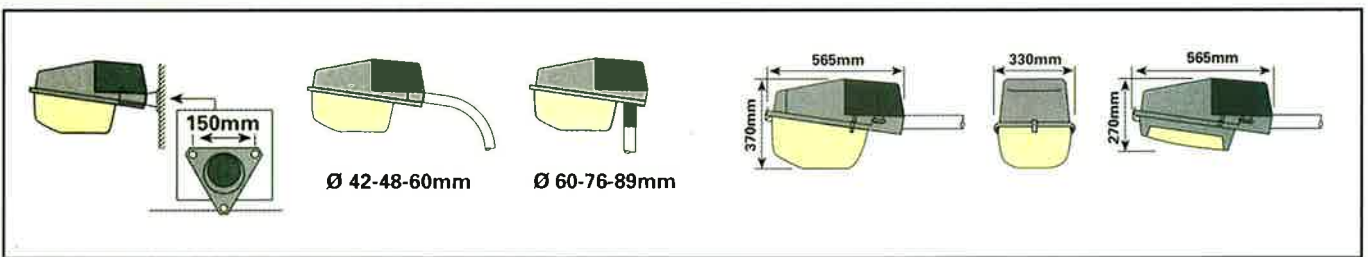
(\*) according to standard EN 60598

(\*\*) according to standard EN 50102

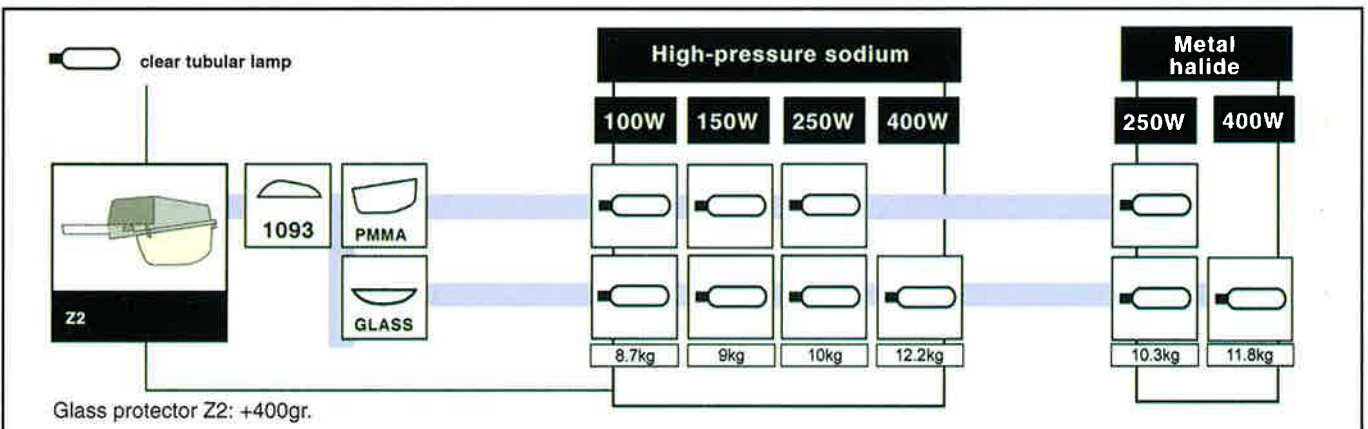


Z2 lanterns installed at the Cheras-Kajang Highway, Kuala Lumpur

### DIMENSIONS (MM)



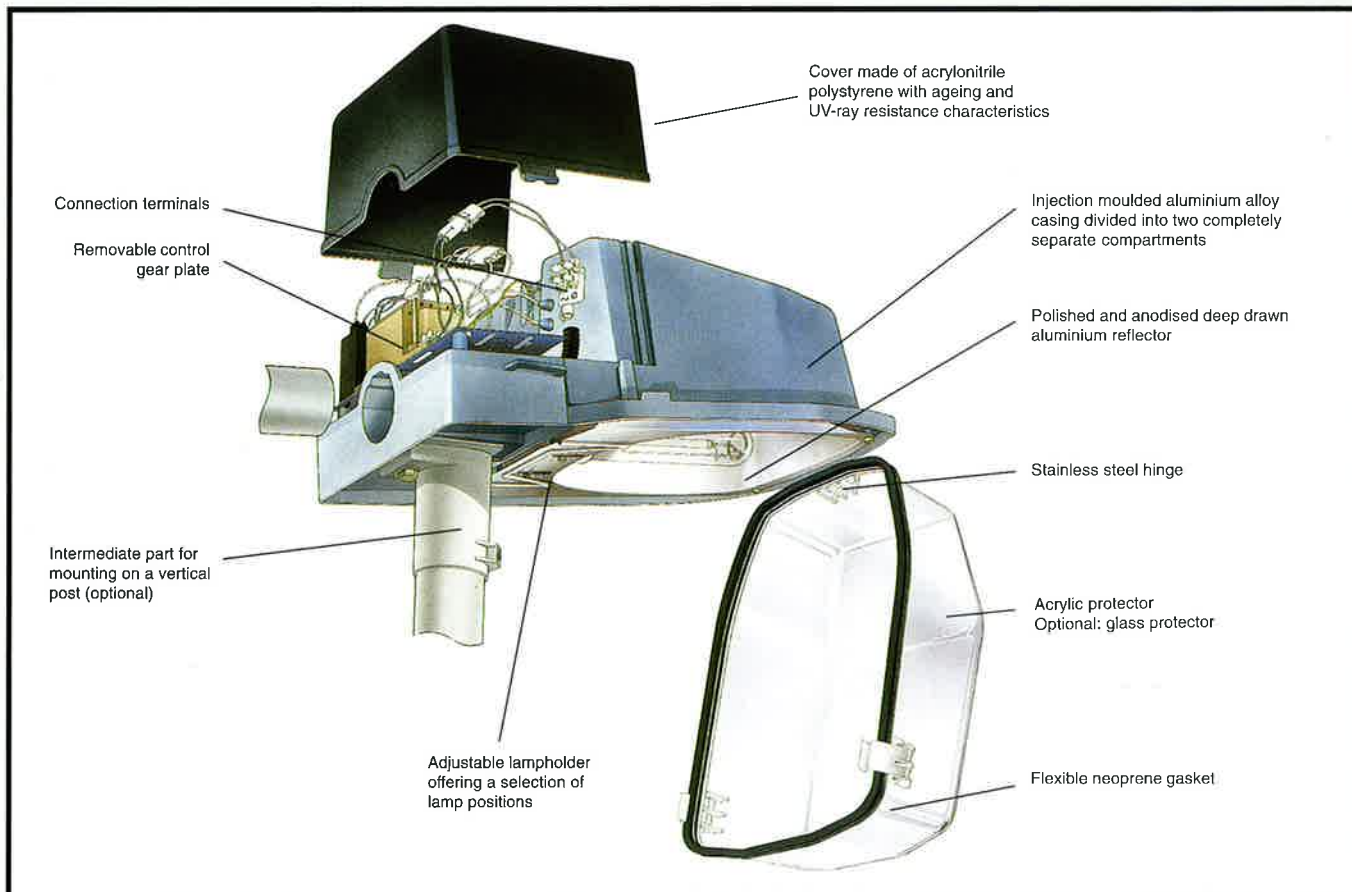
### LAMPS - REFLECTORS



# Z2

## Public Lighting

### DESCRIPTION



### MAINTENANCE

#### Photometry

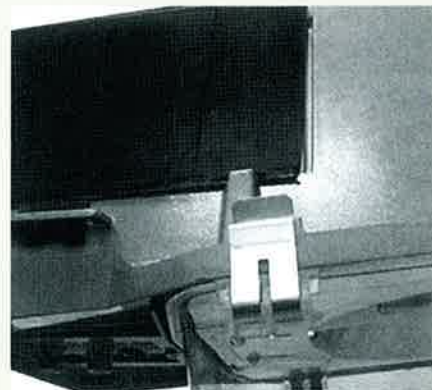


The main characteristic of the Z2 light fitting is its variable photometry. A movable lamp-holder with markings aids the positioning of the lamp in the reflector and determines the photometric distribution of the light fitting.

#### Optical Unit



Direct access to the lamp after opening the protector which remains suspended during maintenance.



Opening, unhooking and replacing the protector is carried out without the aid of tools.

# Z2

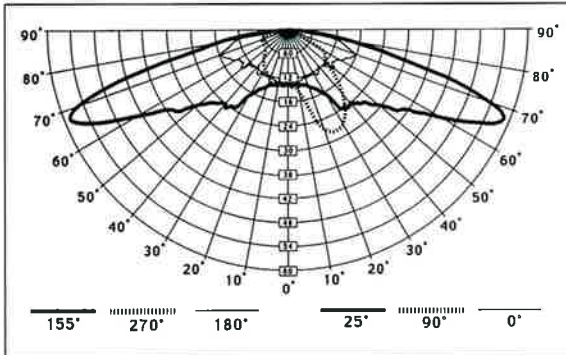
## Public Lighting

### PHOTOMETRIC DATA

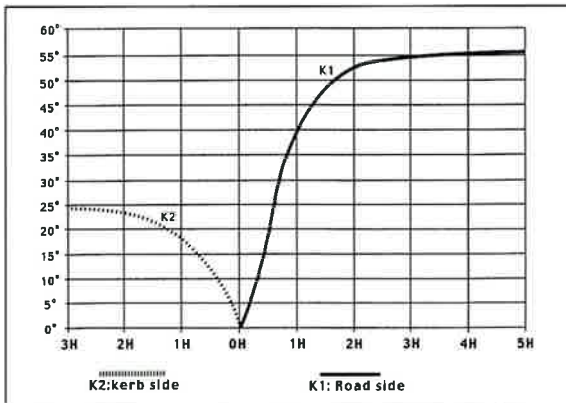
**Polar Diagram**



High-pressure sodium  
250W tubular  
Reflector 1093  
Acrylic protector



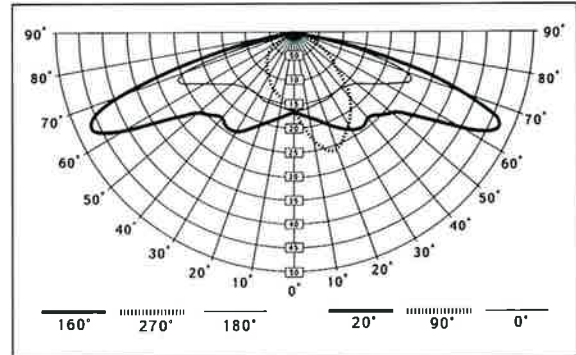
**Utilization Factor Curves**



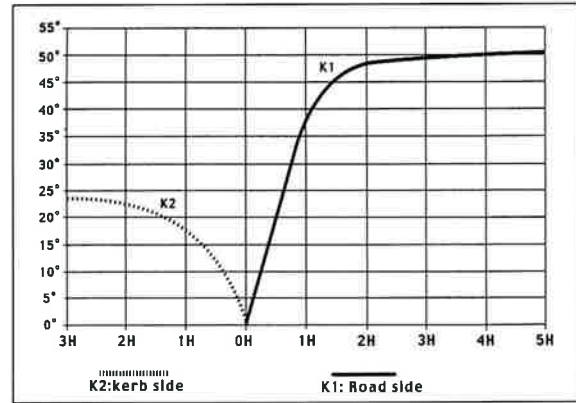
**Polar Diagram**



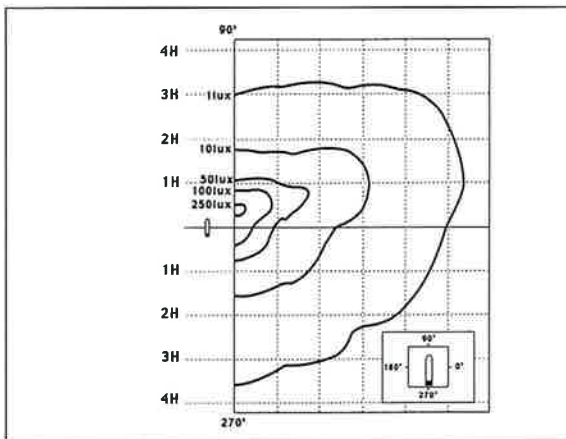
High-pressure sodium  
400W tubular  
Reflector 1093  
Glass protector



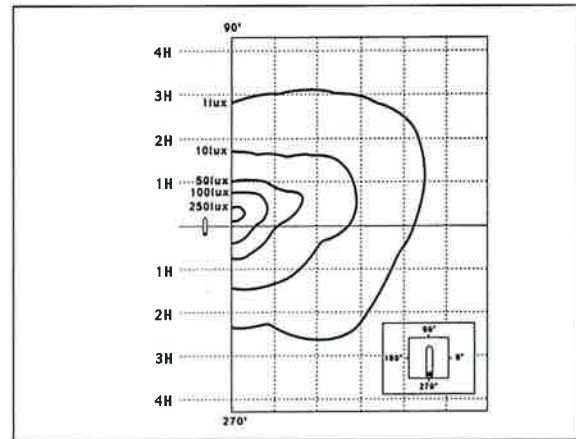
**Utilization Factor Curves**



**Isolux Diagram: lux/1000 lumen**



**Isolux Diagram: lux/1000 lumen**



Due to the continuous research and development we undertake on our products, we reserve the right to alter the specifications without notice. The information, descriptions and illustrations above are of only an indicative nature and as these may present different characteristics according to requirements of individual countries, we invite you to consult us.



**STRAITS DESIGN SDN. BHD.** (194668-D)

No. 1, Jalan BRP 9/1D, Perusahaan Bukit Rahman Putra,  
47000 Sungai Buloh, Selangor Darul Ehsan.  
Tel: 03-61572228 Fax: 03-61576888  
E-mail: sd01@tm.net.my